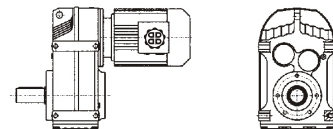
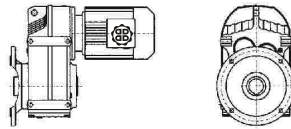
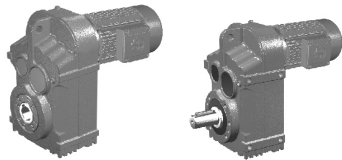


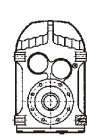
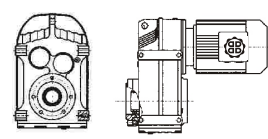
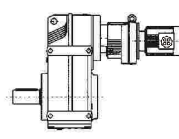
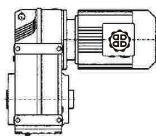
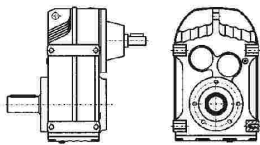


**DF系列**



**DFAF...Y...**  
法兰空心轴安装平行轴斜齿轮减速机  
Flange-mounted parallel shaft helical gear units with hollow shaft

**DF...Y...**  
底脚轴伸式安装平行轴斜齿轮减速机  
Foot-mounted parallel shaft helical gear units with solid shaft

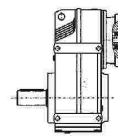
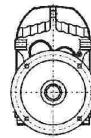
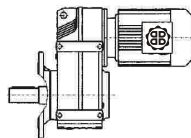
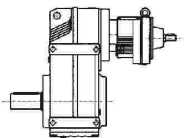


**DF(DF, DFA, DFAF, DFAZ)S...**  
轴输入的平行轴斜齿轮减速机  
Shaft input parallel shaft helical gear units

**DFA...Y...**  
空心轴安装平行轴斜齿轮减速机  
Parallel shaft helical gear units with hollow shaft

**DF (DF, DFA, DFAF, DFAZ) ...DR...Y...**  
组合式平行轴斜齿轮减速机  
Combinatorial parallel shaft helical gear units

**DFAZ...Y...**  
小法兰空心轴安装平行轴斜齿轮减速机  
Short-flange-mounted parallel shaft helical gear units with hollow shaft



**DF(DF, DFA, DFAF, DFAZ)...DRS...**  
轴输入的组式平行轴斜齿轮减速机  
Shaft input combinatorial parallel shaft helical gear units

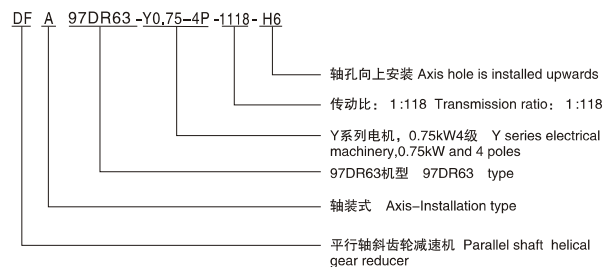
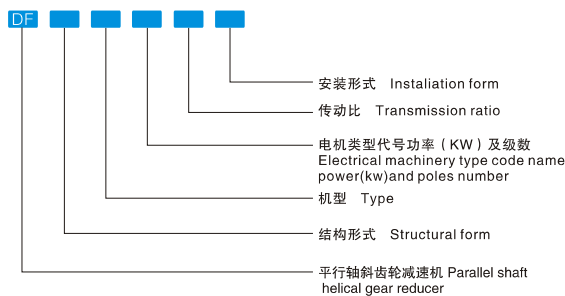
**DF...Y...**  
法兰轴伸式安装平行轴斜齿轮减速机  
Flange-mounted parallel shaft helical gear units with solid shaft

**DF(DF, DFA, DFAF, DFAZ)...F...Y...**  
电机用户自配或配特殊电机时需加联接法兰  
When equipping the user's motor or the special one, the flange is required to be connected

**DF系列平行轴斜齿轮减速机**  
**DF SERIES PARALLEL AXIS OBLIQUE GEAR DECELERATOR**

**型号表示法 Representation for type**

**双极型号示例**

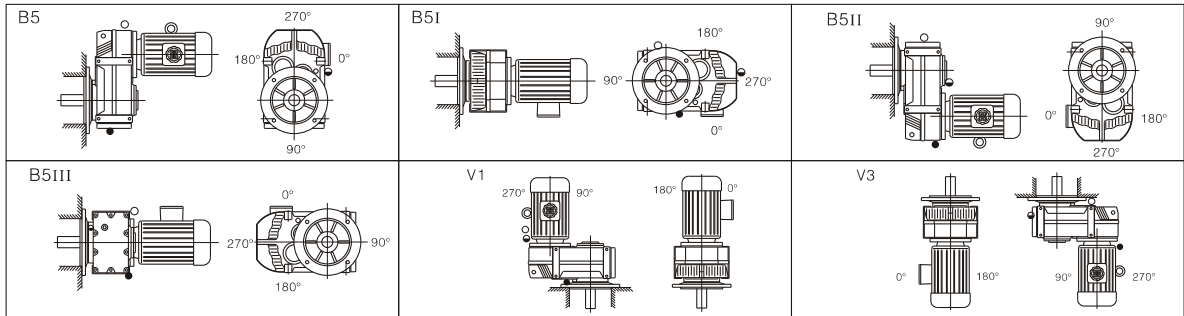


**结构形式 Structure forms**

普通轴伸式联接表示 (省略) (Coupling denotation for ordinary axis stretching (omit))	轴装式联接表示: A Coupling denotation for axis - installation type: A	轴伸法兰式联接表示: F Coupling denotation for axis stretching flange type: F
普通轴伸式双轴型联接表示: S Coupling denotation for ordinary axis stretching flange type: S	轴装式双轴型联接表示: AS Coupling denotation for axis - installation double - shaft type: AS	轴伸法兰式双轴型联接表示: FS Coupling denotation for axis stretching flange double - shaft type: FS
轴装法兰式双轴型联接表示: AFS Coupling denotation for axis - installation double - shaft type: AFS	轴装法兰式联接表示: AF Coupling denotation for axis - installation flange type: AF	小法兰式联接: Z Coupling with small flange: Z

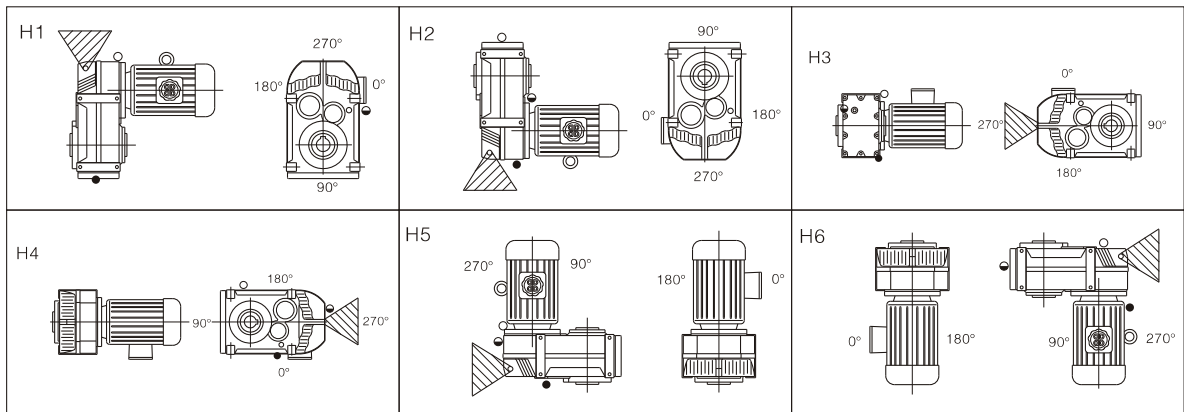


**安装形式 Install the form DFF37-DFF157型 DFF37-DFF157 type**



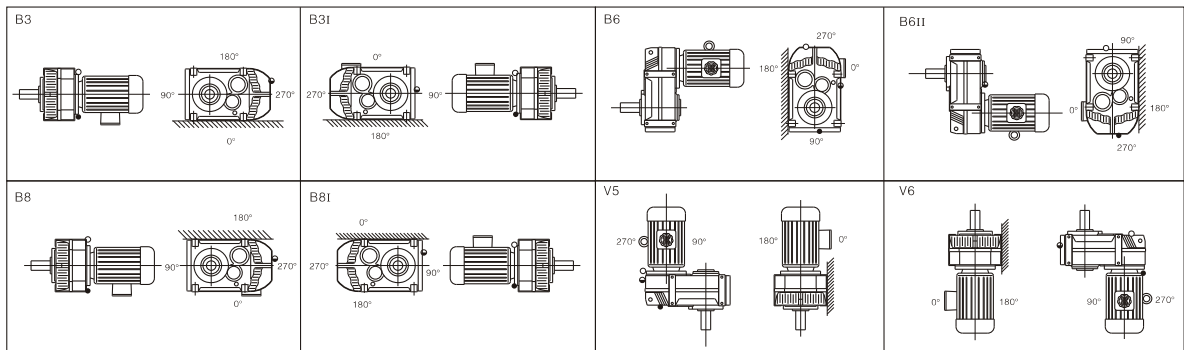
**DFA37-DFA157型, DFAF37-DFAF157型 DFA37-DFF157, DFAF37-DFAF157 TYPE**

DF



注: ●—表示放油孔 ●—表示油镜 ○—表示加油通气孔  
Notes: ●— It denotes exhaust outlet ●— It denotes oil mirror ○— It denotes filler air vent

**安装形式 Install the form DF型 DF type**



注: ●—表示放油孔 ●—表示油镜 ○—表示加油通气孔  
Notes: ●— It denotes exhaust outlet ●— It denotes oil mirror ○— It denotes filler air vent



**DF系列重量表 DF Series weight table**

Type	DF37	DF47	DF57	DF67	DF77	DF87	DF97	DF107	DF127	DF157
m(Kg)	13	18	34	55	90	150	260	402	700	950

注：带输入轴、输入法兰另加10%；带电机根据所配规格另加。  
Notes: Weight of reducer with input shaft and input flange should be added 10%. If there is a motor, please add weight additionally according to motor type.

**F系Fr(N)表 F Series Fr(N) table**

n <sub>1</sub> (r/min)	n <sub>2</sub> (r/min)	i N	Fr(N)									
			DF37	DF47	DF57	DF67	DF77	DF87	DF97	DF107	DF127	DF157
1450	337	4.3	1726	1853	3460	7132	8670	5083	7820	11000	17900	/
	280	5.2	1802	1964	3730	7395	9095	5466	8840	14000	25075	/
	252	5.8	1828	2032	3810	7523	9605	5967	8925	15300	26945	/
	219	6.6	1862	2100	3940	7820	9860	6622	9435	17935	27200	/
	195	7.4	1998	2151	4310	8211	10625	7038	9775	19720	29750	/
	174	8.3	2006	2236	4450	8415	11135	7557	10710	20400	31450	/
	160	9.1	2091	2763	4760	8670	11135	7557	11390	20400	31450	31450
	134	10.8	2193	2763	4320	8755	11730	7557	11390	19465	28900	33150
	117	12.4	2227	2975	4710	8755	12665	7557	8500	20655	30940	34765
	105	13.8	2338	3179	4980	8755	12665	7557	8925	20655	30940	34850
	94	15.5	2474	3358	5450	8755	13345	7557	10115	20995	30940	36125
	83	17.4	2703	3783	5620	8755	13345	6834	11220	22100	33150	38165
	74	19.5	2882	3868	6020	8755	13345	7514	11220	23885	35615	40800
	69	21.1	2975	4055	6350	8755	13345	7514	12410	23885	35700	43265
	57	25.3	3179	4276	7080	8755	13345	8755	14280	27370	38845	44030
	51	28.2	3647	4922	7760	8755	13345	9435	15215	28645	38845	49130
	43	34	3647	5032	8200	8755	13345	9435	17255	31025	43010	53125
	38	38.3	3647	5032	8200	8755	13345	9435	18615	33575	46580	53975
	33	43.6	3647	5032	8200	8755	13345	9435	19550	35700	49215	58565
29.8	48.7	3647	5032	8200	8755	13345	9435	20400	35700	52530	62560	
26.6	54.5	3647	5032	8200	8755	13345	9435	21930	38335	52530	65875	
24	60.5	3647	5032	8200	8755	13345	9435	23120	40630	55505	70125	
21.4	67.8	3647	5032	8200	8755	13345	9435	24650	42330	58990	72250	

备注：各规格更低的输出转速按以上最大的Fr值。  
Notes: If there is lower output speed, please choose the maximum Fr in above table.

**F系列选型举例 F Series selection example**

**减速电机 Geared motors**

例：输入功率2.2kW(四级)，使用系数1.5，减速比28.2，既n<sub>2</sub>=51r/min，  
PN1 ≥ P<sub>m</sub> × fs = 2.2 × 1.5 = 3.3(kw)

按传动能力表即可选出DF67，选扭力臂安装，空心轴联接，A向输出，安装形式H2。

型号表示为：DFA67-Y2.2-28.2-H2

$$M2 = \frac{P_m \cdot 9550}{n_2} \cdot \eta = \frac{2.2 \cdot 9550}{51} \cdot 0.94 = 387N \cdot m$$

Example: Input power of 2.2kW, useful factor 1.5, ratio of 28.2, that is, n<sub>2</sub>=51rpm PN1 ≥ P<sub>m</sub> × fs = 2.2 × 1.5 = 3.3(kw) select reducer

DF67 according to transmission capacity table, torque arm-mounted, hollow shaft connection, A direction out, output H2 mounting positoin Mode is expressed: DFA67-Y2.2-28.2-H2

$$M2 = \frac{P_m \cdot 9550}{n_2} \cdot \eta = \frac{2.2 \cdot 9550}{51} \cdot 0.94 = 387N \cdot m$$

**双轴型 Gearunits**

例：输入转速400r/min，功率3kW，要求减速比67.8，即要求输出转速5.9r/min，使用系数1，

$$MN2 \geq M2 \times fs = \frac{P1 \cdot 9550}{n1} \cdot i \cdot \eta \cdot fs = \frac{3 \times 9550}{400} \times 67.8 \times 0.94 \times 1 = 4564(N \cdot m)$$

选DF107，要求法兰向下安装，实心轴输出。型号表示为：DFF107-67.8-V1°

Example: ( 1 ) Input speed of 400r/min, power of 3kW, required ratio of 67.8, that is required output speed of 5.9rpm, useful factor 1,

$$MN2 \geq M2 \times fs = \frac{P1 \cdot 9550}{n1} \cdot i \cdot \eta \cdot fs = \frac{3 \times 9550}{400} \times 67.8 \times 0.94 \times 1 = 4564(N \cdot m)$$

So select reducer DF107 flange mounted forward down. solid shaft output Mode is expressed: DFF107-67.8-V1°



DF系列传动功能表 DF SERIES TRANSMISSION CAPACITY TABLE

Table with columns for speed ratios (n1, n2), gear ratios (i), and maximum power for different motor types (3kw, 5.5kw, 11kw, 22kw) across various DF series models (DF37, DF47, DF57, DF67, DF77, DF87).

DF



**DF系列传动功能表 DF Series transmission capacity table**

n 1 (r/min)	n 2 (r/min)	i N	DF97			DF107			DF127			DF157		
			最大允许直联电机30kw Maximum power of directly connected motor 30kw			最大允许直联电机45kw Maximum power of directly connected motor 45kw			最大允许直联电机90kw Maximum power of directly connected motor 90kw			最大允许直联电机160kw Maximum power of directly connected motor 160kw		
			MN2 (N.m)	ieX	PN1 (Kw)	MN2 (N.m)	ieX	PN1 (Kw)	MN2 (N.m)	ieX	PN1 (Kw)	MN2 (N.m)	ieX	PN1 (Kw)
1450	337	4.3	1660	4.20	*32.6	3730	4.35	*48.5	4950	4.29	*97.0			
	280	5.2	1780	5.20	*32.6	3850	5.19	*48.5	4950	5.17	*97.0			
	252	5.8	1860	5.79	*32.6	3850	5.87	*48.5	4950	5.76	*97.0			
	219	6.6	1950	6.68	*32.6	4000	6.76	*48.5	4950	6.65	*97.0			
	195	7.4	1950	7.43	*32.6	4110	7.49	*48.5	5730	7.40	*97.0			
	174	8.3	1950	8.32	*32.6	4200	8.33	*48.5	5730	8.28	*79.5			
	160	9.1	3400	8.90	*32.6	5330	9.19	*48.5	7820	9.13	*97.0	12500	9.10	208
	134	10.8	3580	11.01	*32.6	5760	10.96	*48.5	8260	11.01	*97.0	13390	10.94	185
	117	12.4	3580	12.27	*32.6	6260	12.38	*48.5	9130	12.27	*97.0	13390	12.66	160
	105	13.8	3580	14.15	*32.6	6400	14.26	*48.5	9130	14.15	*97.0	13390	14.01	145
	94	15.5	3580	15.75	*32.6	6400	15.81	*48.5	9130	15.75	87.8	13390	15.59	130
	83	17.4	3580	17.63	30.8	6400	17.57	*48.5	9130	17.63	78.4	14280	17.36	124
	74	19.5	3580	19.86	27.3	6400	19.69	*48.5	10000	19.86	76.3	13390	19.20	105
	69	21.1	3580	21.57	25.1	6400	21.57	*39.5	10000	21.57	*48.5	14280	21.36	101
	57	25.3	3580	25.68	21.1	6400	25.68	*26.4	7040	25.68	41.5	12500	25.41	74.5
	1450	51	28.2	3580	28.80	18.8	6400	27.49	35.3	10000	28.87	52.5	15000	28.01
43		34.0	3580	34.39	15.8	6400	33.93	28.6	10000	34.43	44.0	15000	33.76	67.3
38		38.3	3580	38.40	14.1	6400	37.89	25.6	10000	38.91	38.9	15000	37.71	60.3
33		43.6	3580	44.25	12.2	6400	43.66	22.2	10000	44.83	33.8	15000	43.44	52.3
29.8		48.7	3580	49.21	11.0	6400	48.56	20.0	10000	49.67	30.5	15000	48.32	47.0
26.6		54.5	3580	55.04	9.86	6400	54.31	17.8	10000	55.29	27.4	15000	54.04	42.0
24.0		60.5	3580	60.81	8.92	6260	61.21	15.5	10000	60.25	25.1	15000	59.90	37.9
21.4		67.8	3580	67.92	7.99	6260	68.36	13.9	10000	68.22	22.2	15000	66.90	34.0
18.8		77.0	3580	78.25	6.93	6400	78.76	12.3	10000	78.46	19.3	15000	77.07	29.5
16.8		86.1	3580	87.03	6.23	6400	87.60	11.1	10000	86.91	17.4	15000	85.72	26.5
15.0		96.4	3580	97.34	5.57	6400	97.98	9.90	10000	96.76	15.7	15000	95.88	23.7
13.6		107	3580	109.6	4.95	6400	110.3	8.79	10000	108.4	14.0	15000	108.0	21.0
12.3		118	3580	119.3	4.55	6400	120.1	8.08	10000	118.7	12.7	15000	117.5	19.3
10.3		141	3580	141.9	3.82	6400	142.8	6.79	10000	141.2	10.7	15000	139.8	16.2
9.0		161	3580	160.0	3.39	6400	161.1	6.02	10000	159.2	9.51	15000	157.6	14.4
8.4		173	3580	175.3	3.09	6400	176.5	5.49	10000	174.5	8.68	15000	172.7	13.1
7.3	198	3580	203.5	2.67	6400	204.9	4.73	10000	202.6	7.48	15000	190.4	11.9	
6.4	227													
6.0	241													
5.3	273													
960	9.0	107												
	8.1	118												
	6.8	141										15000	139.8	10.7
	6.0	161	3580	160.0	2.24							15000	157.6	9.52
	5.5	173	3580	175.3	2.04	6400	176.5	3.62	10000	174.5	5.73	15000	172.7	8.68
	4.8	198	3580	203.5	1.76	6400	204.9	3.12	10000	202.6	4.93	15000	190.4	7.88
	4.2	227												
	4.0	241												
710	3.5	273												
	4.4	161										15000	157.6	7.03
	4.1	173	3580	175.3	1.51							15000	172.7	6.41
	3.6	198	3580	203.5	1.30	6400	204.9	2.30	10000	202.6	3.64	15000	190.4	5.82
	3.1	337												
	2.9	241												
2.6	273													



DF/DR系列传动功能表 DF/DRSeries transmission capacity table

n 1 (r/min)	n 2 (r/min) i N	DF37/DR33			DF47/DR33			DF57/DR33			DF67/DR33			DF77/DR33			DF87/DR43			
		最大允许直联电机0.18kw Maximum power of directly connected motor 0.18kw			最大允许直联电机0.37kw Maximum power of directly connected motor 0.37kw			最大允许直联电机0.55kw Maximum power of directly connected motor 0.55kw			最大允许直联电机0.55kw Maximum power of directly connected motor 0.55kw			最大允许直联电机0.75kw Maximum power of directly connected motor 0.75kw			最大允许直联电机1.5kw Maximum power of directly connected motor 1.5kw			
		Mn2 (N.m)	ieX	PN1 (Kw)	MN2 (N.m)	ieX	PN1 (Kw)	MN2 (N.m)	ieX	PN1 (Kw)	MN2 (N.m)	ieX	PN1 (Kw)	MN2 (N.m)	ieX	PN1 (Kw)	MN2 (N.m)	ieX	PN1 (Kw)	
1450	8.58 169	166	164.3	0.18	330	165.8	0.36	376	166	0.37	680	165.6	0.73	1250	164.7	1.36	2500	162.0	2.76	
	7.75 187	166	185.3	0.16	330	187.0	0.32	410	181	0.37	680	186.8	0.65	1250	185.7	1.20	2500	188.5	2.37	
	6.87 211	166	210.6	0.14	330	212.5	0.28	452	200	0.37	680	212.3	0.57	1250	211.1	1.06	2500	209.9	2.13	
									563	249	0.37									
	6.20 234	166	235.5	0.13	330	237.0	0.25	593	262	0.37	680	236.7	0.51	1250	237.8	0.94	2500	230.1	1.94	
	5.58 260	166	263.0	0.11	330	264.7	0.22	456	298	0.25	680	264.4	0.46	1250	265.6	0.84	2500	264.3	1.69	
	4.92 295	166	294.8	0.10	330	296.7	0.20	505	330	0.25	680	296.3	0.41	1250	297.6	0.75	2500	290.8	1.54	
	4.35 333	166	335.3		330	337.5	0.17	592	387	0.25	680	337.0	0.36	1250	338.5	0.66	2500	336.6	1.33	
	3.54 410	166	412.9		330	415.6	0.14	499	453	0.18	680	415.0	0.29	1250	416.9	0.54	2500	401.2	1.11	
	3.13 463	166	461.1		330	464.1	0.13	558	507	0.18	680	463.5	0.26	1250	465.5	0.48	2500	460.5	0.97	
	2.78 521	166	516.9		330	520.2	0.11	616	560	0.18	680	519.6	0.23	1250	521.9	0.43	2500	507.0	0.88	
	2.51 578	166	583.0		330	586.8	0.10				680	586.1	0.21	1250	588.7	0.38	2500	590.1	0.76	
	2.23 651	166	662.5		330	666.9					680	666.0	0.18	1250	668.9	0.33	2500	657.1	0.68	
	2.00 724	166	708.4		330	713.0					680	712.1	0.17	1250	715.3	0.31	2500	735.9	0.61	
	1.82 797	166	816.2		330	821.5					680	820.5	0.15	1250	824.1	0.27	2500	781.3	0.57	
	1.53 950	166	953.1		330	959.3					680	958.1	0.13	1250	962.3	0.23	2500	947.1	0.47	
	1.39 1042	166	1039		330	1046					680	1044	0.12	1250	1049	0.21	2500	1065	0.42	
	1.14 1268	166	1280		330	1289					680	1287		1250	1293	0.17	2500	1270	0.35	
	1.02 1425	166	1429		330	1438					680	1437		1250	1443	0.15	2500	1458	0.31	
	0.90 1616	166	1602		330	1613					680	1611		1250	1618	0.14	2500	1605	0.28	
	0.80 1823	166	1822		330	1834					680	1832		1250	1840	0.12	2500	1868	0.24	
	0.63 2287	166	2246		330	2260					680	2257		1250	2267	0.10	2500	2334	0.19	
	0.57 2551	166	2506		330	2523					680	2519		1250	2531		2500	2601	0.17	
	0.51 2861	166	2810		330	2875					680	2840		1250	2876		2500	2834	0.16	
	0.45 3227	166	3196		330	3270					680	3229		1250	3271		2500	3299	0.14	
	0.36 4048	166	3939		330	4030					680	3980		1250	4031		2500	4121	0.11	
	0.32 4515	166	4396		330	4498					680	4442		1250	4499		2500	4591	0.10	
	0.29 5065	166	4930		330	5044					680	4982		1250	5046		2500	5055		
	0.25 5729	166	5560		330	5689					680	5619		1250	5691		2500	5883		
	0.23 6400	166	6316		330	6463					680	6383		1250	6465		2500	6550		
	0.21 7051	166	6755		330	6912					680	6826		1250	6914		2500	7335		
	0.18 8146	166	7989		330	8113					680	7854		1250	7962		2500	8431		
	0.16 9100	166	9076		330	9217					680	8923		1250	9045		2500	9386		
0.14 10026	166	9706		330	9856					680	9542		1250	9673		2500	10513			
0.13 11086	166	11187		330	11360					680	10998		1250	11149		2500	11165			
0.11 13207	166	13065		330	13267					680	12844		1250	13020		2500	13530			
0.10 15135																	15604			
0.09 16388																	16850			
0.08 18509																				

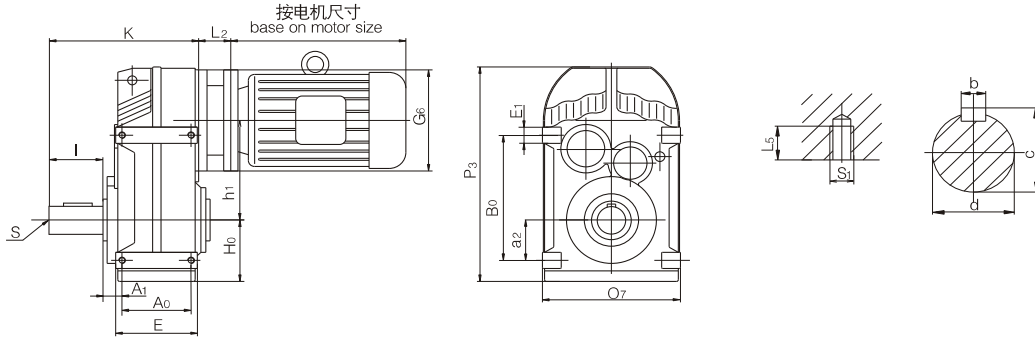
DF





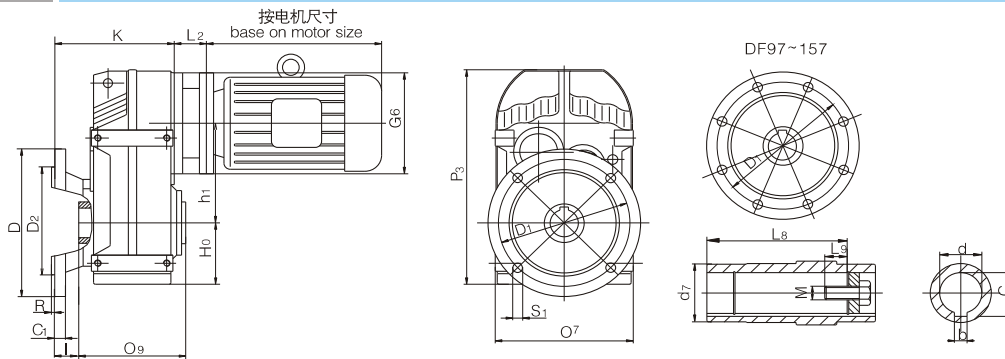
DF系列传动功能表 DF Series transmission capacity table

n 1 (r/min)	n 2 (r/min)	i N	DF97/DR63			DF107/DR73			DF127/DR83			DF157/DR93			
			最大允许直联电机2.2kw Maximum power of directly connected motor 2.2kw			最大允许直联电机4kw Maximum power of directly connected motor 4kw			最大允许直联电机7.5kw Maximum power of directly connected motor 7.5kw			最大允许直联电机11kw Maximum power of directly connected motor 11kw			
			M <sub>N2</sub> (N.m)	i <sub>ex</sub>	P <sub>N1</sub> (Kw)	M <sub>N2</sub> (N.m)	i <sub>ex</sub>	P <sub>N1</sub> (Kw)	M <sub>N2</sub> (N.m)	i <sub>ex</sub>	P <sub>N1</sub> (Kw)	M <sub>N2</sub> (N.m)	i <sub>ex</sub>	P <sub>N1</sub> (Kw)	
DF 1450	8.58	169	3580	162.6	3.93	6400	164.8	6.94	10000	167.4	10.67	15000	173.7	15.43	
	7.75	187	3580	181.7	3.52	6400	184.6	6.19	10000	186.3	9.59	15000	193.3	13.86	
	6.87	211	3580	204.3	3.13	6400	207.7	5.50	10000	208.6	8.56	15000	216.5	12.38	
	DF127/DR73														
	6.20	234	3580	234.2	2.73	6400	225.8	5.06	10000	231.9	7.70	15000	228.5	11.73	
	5.58	260	3580	265.7	2.41	6400	256.5	4.46	10000	263.4	6.78	15000	255.3	10.50	
	4.92	295	3580	295.3	2.17	6400	284.9	4.01	10000	292.6	6.11	15000	294.1	9.11	
	4.35	333	3580	337.5	1.89	6400	318.7	3.59	10000	327.2	5.46	15000	326.9	8.20	
	3.54	410	3580	403.2	1.59	6400	400.1	2.86	10000	410.9	4.35	15000	402.7	6.65	
	3.13	463	3580	457.3	1.40	6400	454.3	2.52	10000	466.5	3.83	15000	448.7	5.97	
	2.78	521	3580	508.8	1.26	6400	504.3	2.27	10000	517.9	3.45	15000	517.4	5.18	
	2.51	578	3580	568.7	1.12	6400	564.9	2.02	10000	580.1	3.08	15000	575.8	4.65	
	2.23	651	3580	639.4	1.00	6400	635.8	1.80	10000	652.9	2.74	15000	644.8	4.16	
	2.00	724	3580	724.2	0.88	6400	719.2	1.59	10000	738.5	2.42	15000	726.3	3.69	
	1.82	797	3580	794.1	0.81	6400	787.7	1.45	10000	808.9	2.21	15000	788.9	3.40	
	1.53	950	3580	944.6	0.68	6400	937.8	1.22	10000	963.0	1.85	15000	939.0	2.85	
	1.39	1042	3580	1049	0.61	6400	1046	1.09	10000	1074	1.66	15000	1019	2.63	
	1.14	1268	3580	1251	0.51	6400	1255	0.91	10000	1289	1.39	15000	1261	2.12	
	1.02	1425	3580	1437	0.45	6400	1425	0.80	10000	1463	1.22	15000	1404	1.91	
	0.90	1616	3580	1582	0.40	6400	1582	0.72	10000	1624	1.10	15000	1620	1.65	
	0.80	1823	3580	1841	0.35	6400	1771	0.65	10000	1819	0.98	15000	1803	1.49	
	0.63	2287	3580	2296	0.28	6400	2255	0.51	10000	2316	0.77	15000	2273	1.18	
	0.57	2551	3580	2562	0.25	6400	2512	0.46	10000	2580	0.69	15000	2479	1.08	
	0.51	2861	3580	2798	0.23	6400	2854	0.40	10000	2848	0.63	15000	2874	0.93	
	0.45	3227	3580	3256	0.20	6400	3196	0.36	10000	3189	0.56	15000	3198	0.84	
	0.36	4048	3580	4062	0.16	6400	4068	0.28	10000	4060	0.44	15000	4033	0.66	
	0.32	4515	3580	4532	0.14	6400	4532	0.25	10000	4523	0.39	15000	4398	0.61	
	0.29	5065	3580	4989	0.13	6400	5031	0.23	10000	5021	0.36	15000	5074	0.53	
	0.25	5729	3580	5806	0.11	6400	5634	0.20	10000	5623	0.32	15000	5646	0.47	
	0.23	6400	3580	6465	0.10	6400	6320	0.18	10000	6307	0.28	15000	6321	0.42	
0.21	7051	3580	7240		6400	7171	0.16	10000	7156	0.25	15000	7118	0.38		
0.18	8146	3580	8322		6400	8076	0.14	10000	7975	0.22	15000	8092	0.33		
0.16	9100	3580	9265		6400	9058	0.13	10000	8945	0.20	15000	9060	0.30		
0.14	10026	3580	10376		6400	10278	0.11	10000	10150	0.18	15000	10202	0.26		
0.13	11086	3580	11018		6400	11268	0.10	10000	11127	0.16	15000	11084	0.24		
0.11	13207	3580	13355		6400	13413		10000	13246	0.13	15000	13193	0.20		
0.10	15135	3580	15389		6400	15266		10000	15037	0.12	15000	14861	0.18		
0.09	16388	3580	16626		6400	16304		10000	16101	0.11	15000	16300	0.16		
0.08	18509				6400	18861		10000	18626	0.10	15000	17978	0.15		



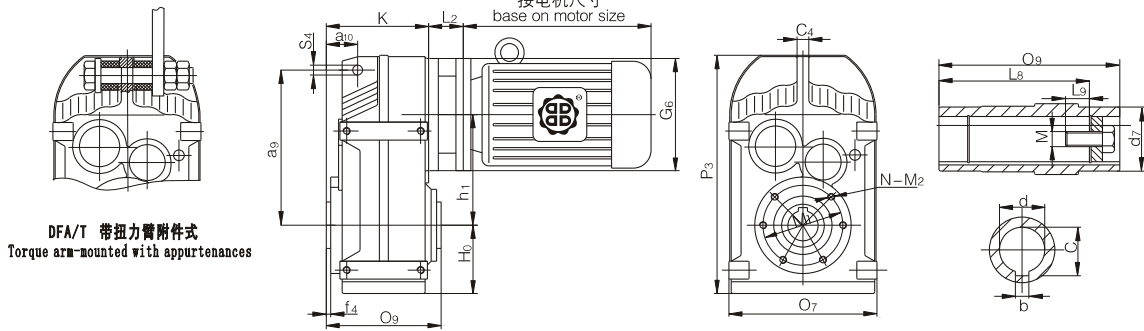
型号 Type	安装尺寸 Installion Size						轴伸尺寸 Stalk Size						外型尺寸 Features Size						
	a2	A0	B0	E	S	A1	L5	S1	H0	I	d(k6)	c	b	G6	h1	E1	O7	p3	K
DF 37	31	77	115	95	M10	26.5	11	M8	71	50	25	28	8	120	112	20	165	247	166
DF 47	43	93	145	109	M12	34	15	M10	77	60	35	38	10	120	128.1	20	180	268	200
DF 57	55	102	170	126	M12	34.5	17	M12	93	70	35	38	10	160	136	25	200	317	221
DF 67	60	112	190	131	M16	39	17	M12	97	80	40	43	12	160	159.5	25	212	343	245
DF 77	70	140	240	165	M16	40	26	M16	116	100	50	53.5	14	200	200	35	270	420	297
DF 87	100	165	310	195	M20	42.5	26	M16	146	120	60	64	18	250	246.7	40	330	525	345.5
DF 97	120	205	350	240	M20	52.5	28	M20	176	140	70	74.5	20	300	285	44	400	621	417
DF 107	125	220	400	260	M24	72	36	M24	199	170	90	95	25	350	332.4	60	450	716	486.5
DF 127	142	270	450	316	M24	70	45	M30	235	210	100	106	28	450	382.6	70	530	853	579
DF 157	170	310	540	364	M24	95	45	M36	288	210	120	127	32	550	447	80	660	1020	653

DF

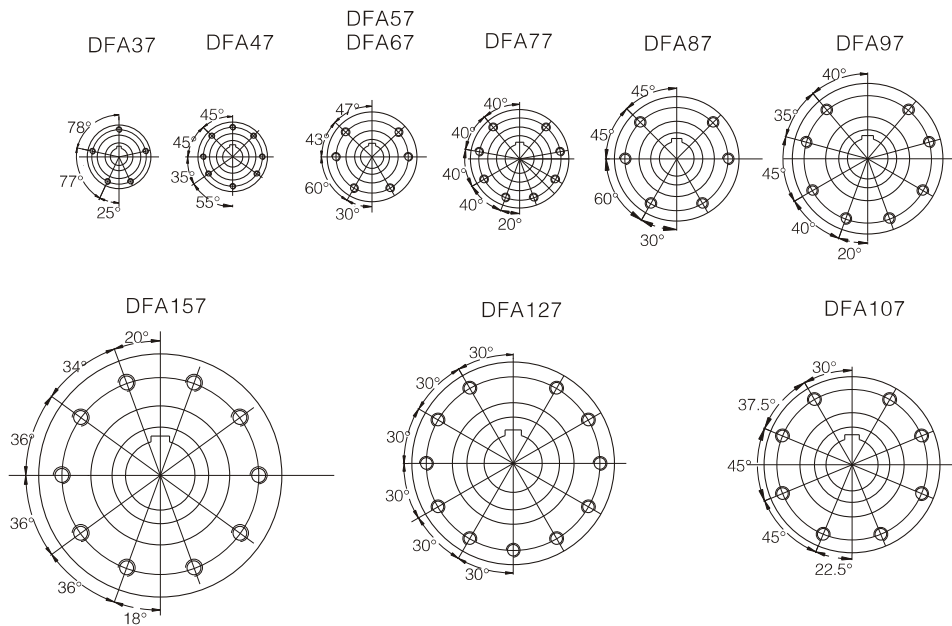


型号 Type	安装尺寸 Installion Size						轴伸尺寸 Stalk Size						外型尺寸 Features Size								
	H0	S1	D2(h7)	L8	L9	D1	R	M	d(H7)	C	b	I	O7	O9	p3	D	C1	K	G6	h1	d7
DFAF 37	71	9	110	103	17	130	3.5	M10	30	33.3	8	24	165	120	247	160	10	135	120	112	45
DFAF 47	77	11	130	128	22	165	3.5	M12	35	38.3	10	25	180	150	268	200	12	160	120	128.1	50
DFAF 57	93	13.5	180	142	25	215	4	M12	40	43.3	12	27.5	200	169	317	250	15	177	160	136	55
DFAF 67	97	13.5	180	146	29	215	4	M16	40	43.3	12	23	212	180	343	250	15	183	160	159.5	55
DFAF 77	116	13.5	230	176	32	265	4	M16	50	53.8	14	40	270	210	420	300	16	232	200	200	70
DFAF 87	146	17.5	250	200	34	300	5	M20	60	64.4	18	30	330	240	525	350	18	250.5	250	246.7	85
DFAF 97	176	17.5	350	260	36	400	5	M20	70	74.9	20	41.5	400	300	621	450	22	313.5	300	285	95
DFAF 107	199	17.5	350	306	40	400	5	M24	90	95.4	25	41	450	350	716	450	22	352.5	350	332.4	120
DFAF 127	235	17.5	450	365	40	500	5	M24	100	106.4	28	51	530	410	853	550	25	420	450	382.6	140
DFAF 157	288	22	550	456	40	600	6	M24	120	127.4	32	60	660	500	1020	660	28	505	550	447	160

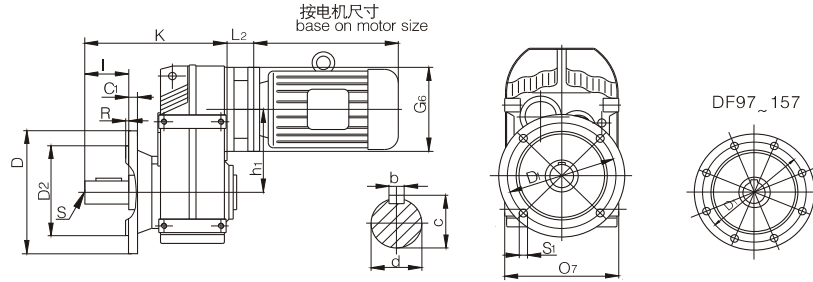




DF

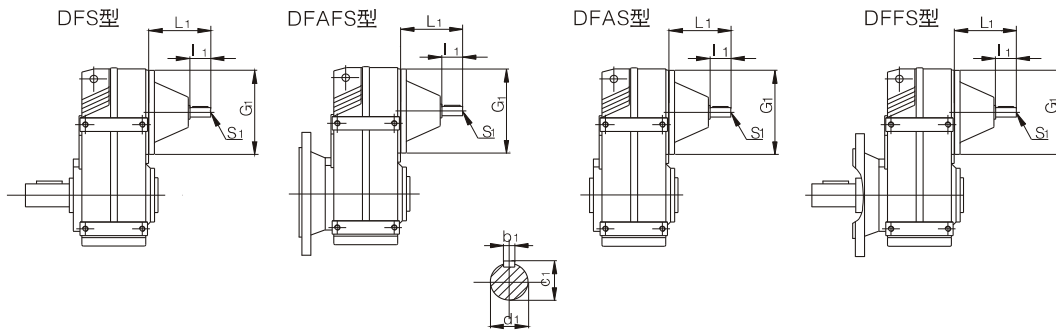


型号 Type	安装尺寸 Installion Size						轴伸尺寸 Stalk Size						外型尺寸 Features Size									
	a <sub>10</sub>	f <sub>4</sub>	c <sub>4</sub>	a <sub>9</sub>	H <sub>0</sub>	L <sub>9</sub>	S <sub>4</sub>	M	L <sub>8</sub>	d(H7)	C	b	K	d <sub>7</sub>	O <sub>9</sub>	p <sub>3</sub>	O <sub>7</sub>	h <sub>1</sub>	G <sub>6</sub>	N	M <sub>1</sub>	M <sub>2</sub>
DFA 37	32	2	12	158	71	17	14	M10	103	30	33.3	8	111	45	120	247	165	112	120	5	94	M8
DFA 47	32.5	2	14	170	77	22	14	M12	128	35	38.3	10	135	50	150	268	180	128.1	120	8	102	M8
DFA 57	40.5	3	14	198	93	25	14	M12	142	40	43.3	12	150	55	166	317	200	136	160	6	125	M12
DFA 67	41	2	16	218	97	29	14	M16	146	40	43.3	12	160	55	180	343	212	159.5	160	6	125	M12
DFA 77	50	2	20	278	116	32	22	M16	176	50	53.8	14	192	70	210	420	270	200	200	8	142	M12
DFA 87	62	2	26	346	146	34	22	M20	200	60	64.4	18	220.5	85	240	525	330	246.7	250	6	178	M16
DFA 97	70	2	30	395	176	36	26	M20	260	70	74.9	20	272	95	300	621	400	285	300	8	220	M16
DFA 107	87.5	2	36	485	199	40	26	M24	306	90	95.4	25	311.5	120	350	716	450	332.4	350	8	260	M20
DFA 127	110	4	40	550	235	40	33	M24	365	100	106.4	28	369	140	410	853	530	382.6	450	11	300	M20
DFA 157	150	5	45	660	288	40	33	M24	456	120	127.4	32	443	160	500	1020	660	447	550	10	340	M24



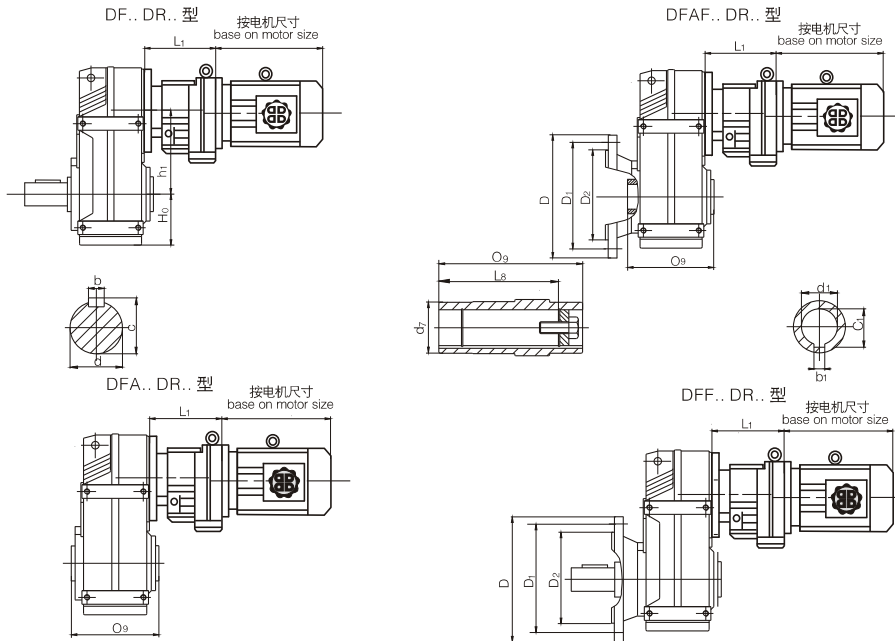
型号 Type	安装尺寸 Installation Size						轴伸尺寸 Stalk Size			外型尺寸 Features Size			
	D1	D2(h7)	R	S1	S	C	b	d(k6)	l	D	C1	h1	K
DFF 37	130	110	3.5	9	M10	28	8	25	50	160	10	112	185
DFF 47	165	130	3.5	11	M12	38	10	35	60	200	12	128.1	220
DFF 57	215	180	4	13.5	M12	38	10	35	70	250	15	136	243
DFF 67	215	180	4	13.5	M16	43	12	40	80	250	15	159.5	263
DFF 77	265	230	4	13.5	M16	53.5	14	50	100	300	16	200	332
DFF 87	300	250	5	17.5	M20	64	18	60	120	350	18	246.7	370.5
DFF 97	400	350	5	17.5	M20	74.5	20	70	140	450	22	285	453.5
DFF 107	400	350	5	17.5	M24	95	25	90	170	450	22	332.4	522.5
DFF 127	500	450	5	17.5	M24	106	28	100	210	550	25	382.6	630
DFF 157	600	550	6	22	M24	127	32	120	210	660	28	447	712

DF



型号 Type	d1(k6)	L1	l1	S1	C1	b1	G1
DF.S 37	16	115	40	M4	18	5	120
DF.S 47	19	115	40	M5	21.5	6	120
DF.S 57	19	120	40	M6	21.5	6	160
DF.S 67	19	120	40	M5	21.5	6	160
DF.S 77	24	140	50	M6	27	8	200
DF.S 87	28	180	60	M8	31	8	250
DF.S 97	38	220	80	M12	41	10	300
DF.S 107	42	270	110	M12	45	12	350
DF.S 127	55	297	110	M20	59	16	450
DF.S 157	70	374	140	M20	74.5	20	550

注：其它尺寸请参见DF系列  
Notes: refer other dimensions to DF series



DF

型号 Type	D	D <sub>1</sub>	D <sub>2</sub> (h <sub>7</sub> )	O <sub>9</sub>	H <sub>0</sub>	h <sub>1</sub>	d(k <sub>6</sub> )	d <sub>1</sub> (H <sub>7</sub> )	b	b <sub>1</sub>	C	C <sub>1</sub>	L <sub>1</sub>
DF.37DR32	160	130	110	120	71	112	25	30	8	8	28	33.3	161
DF.47DR32	200	165	130	150	77	128.1	35	35	10	10	38	38.3	161
DF.57DR32	250	215	180	169	93	136	35	40	10	12	38	43.3	157
DF.67DR32	250	215	180	180	97	159.5	40	40	12	12	43	43.3	161
DF.77DR32	300	265	230	210	116	200	50	50	14	14	53.5	53.8	161
DF.87DR42	350	300	250	240	146	246.7	60	60	18	18	64	64.4	175
DF.97DR62	450	400	350	300	176	285	70	70	20	20	74.5	74.9	210
DF.107DR72	450	400	350	350	199	332.4	90	90	25	25	95	95.4	220
DF.127DR82	550	500	450	410	235	382.6	100	100	28	28	106	106.4	272
DF.157DR92	660	600	550	500	288	447	120	120	32	32	127	127.4	320

注：其它尺寸请参见DF系列 Notes: refer other dimensions to DF series

**DF二级传动和三级传动油量表(L):**

Type	B5、B6、H1	V3、V6、H6	B6H、B5H、H2	V1、V5、H5	B5I、B3、B8、H4	B5III、B3I、B8I、H3
DF37	1	1.2	0.7	1.3	1	1.1
DF47	1.6	1.9	1.1	1.9	1.5	1.7
DF57	2.8	3.8	2.1	3.7	2.9	3
DF67	2.7	3.8	1.9	3.8	2.9	3.2
DF77	5.1	7.3	4.3	8.1	6	6.3
DF87	10.3	13.2	7.8	14.1	11	11.2
DF98	19	22.5	12.6	25.5	18.9	20.5
DF107	25.5	32	19.5	38.5	27.5	28
DF127	41.5	56	34	63	46.5	49
DF157	72	105	64	106	87	79